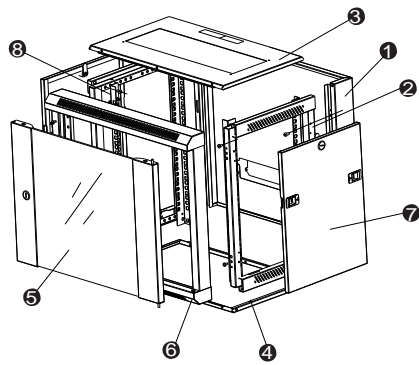


WALL BOX ASSEMBLY



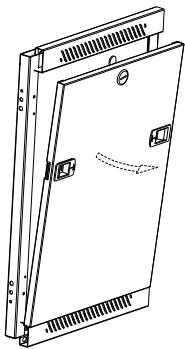
Packing list

- ① Back frame - 1pcs
- ② Side frame - 2pcs
- ③ Top - 1pcs
- ④ Bottom - 1pcs
- ⑤ Front door - 1pcs
- ⑥ Front frame - 1pcs
- ⑦ Side panel with lock - 2pcs
- ⑧ 19" mounting rails - 4pcs
- ⑨ Package of accessories

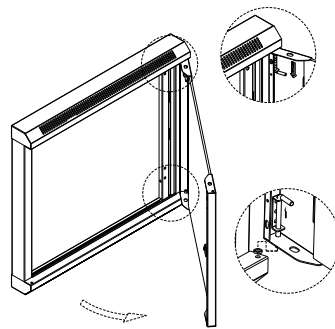
Item list of accessories package

- M5X10 self-tapping screws - 12pcs
- M6X12 screws - 21U & More than 21U, 12pcs less than 21U, 8pcs
- M6X12 screws&nuts - 12U & less than 12U, 10set more than 12U, 20set

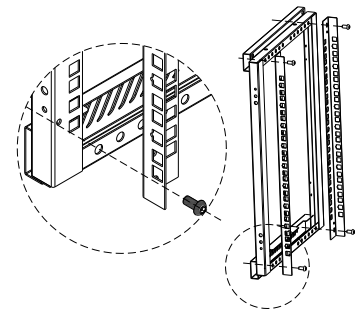
Attention:
please remove glass door from the frame prior to unpacking



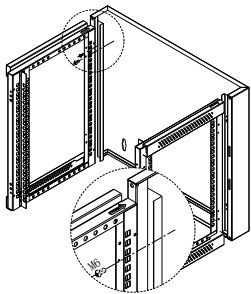
- ① Remove side panels from side frames, put them separate for the preparation of the frame assembly.



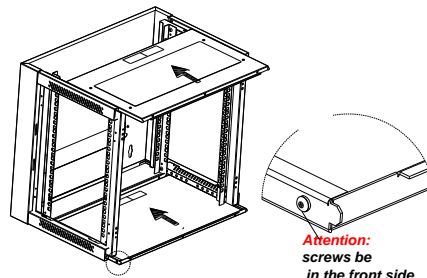
- ② Open the front door by key, pull the door latch downward, refer to the picture, remove the front door from front frame, put them separate for the preparation of the frame assembly.



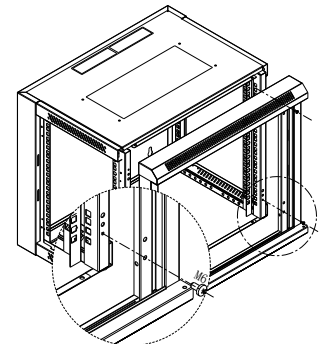
- ③ Fix 19" mounting rails to the first holes of top & bottom of side frames by 8 pcs of M5X10 screws.



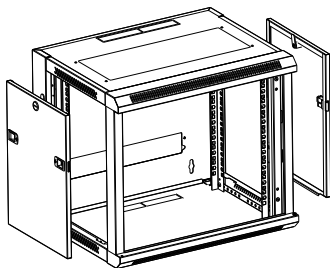
- ④ Install side frames to the grooves of back frame by 4pcs of M6*12 screws (6pcs if more than 18U) as shown by the arrow in the picture, note 19" mounting rails are in the front side.



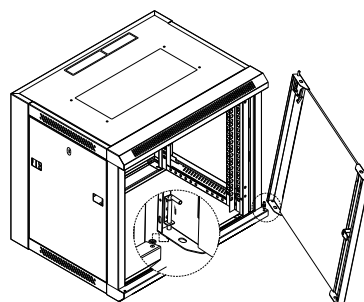
- ⑤ Install top and bottom as shown by the arrow in the picture.
Tip: Please note the direction when install bottom, screws will be in the front side, please refer to picture.



- ⑥ Install front frame by 4pcs of M6*12 screws (6pcs of M6*12 screws if more than 18U), refer to the picture.



- ⑦ Install side panels, refer to the picture



- ⑧ Repetition step 2, install front door.